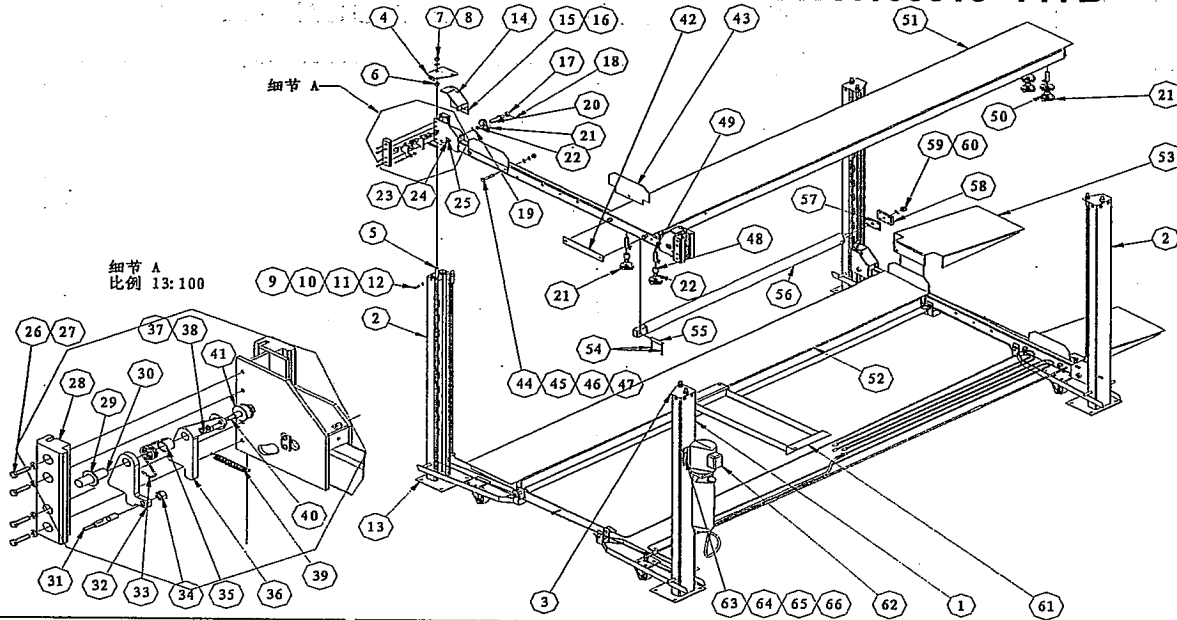




TX FP8K-DS

KERNEL ITEM NO.163016<TT7B>

Kernel Edition 1.0
Mar.2008



Spare Parts List

ITEM	DESCRIPTION	QTY
34	hexangular nut	8
35	bush	4
36	safety blockA/B	2each
37	spring washer	8
38	hexangular nut	10
39	spring washer	8
40	shaft	4
41	small idler wheel	4
42	plywood	4
43	baffle	4
44	hexangular bolt	8
45	spring washer	8
46	hexangular nut	8
47	flat washer	
48	shaft bush 4	2
49	shaft	4
50	shaft bush 3	2
51	main runway	1
52	assistant runway	1
53	weldment of approach ramp	2
54	pin	2
55	shaft of hydraulic cylinder	1
56	hydraulic cylinder	1
57	cover board	1
58	board	1
59	nut	1
60	flat washer	
61	tool box	1
62	hydraulic pump	1
63	hexangular bolt	4
64	flat washer	
65	spring washer	
66	hexangular nut	

ITEM	DESCRIPTION	QTY
1	weldment of main post	1
2	weldment of assistant post	3
3	weldment 1 of top board	2
4	weldment 2 of top board	2
5	weldment of safety bar	4
6	hexangular nut	4
7	hexangular nut	4
8	flat washer	24
9	flat washer	32
10	hexangular bolt	16
11	spring washer	16
12	hexangular nut	16

ITEM	DESCRIPTION	QTY
13	expanding bolt	16
14	left/right cover	2 each
15	spring washer	24
16	cross recessed pan head bolt	16
17	bush	4
18	inner hexangular wimble bounded bolt	4
19	flat washer	13
20	shaft	4
21	idler wheel	10
22	multiple bush	10

ITEM	DESCRIPTION	QTY
23	spring washer	
24	cross recessed pan head bolt	
25	orientation board	8
26	hexangular bolt	32
27	flat washer	36
28	nylon block	8
29	flat washer	
30	shaft	4
31	pole	4
32	safety block	4
33	spring washer	2each

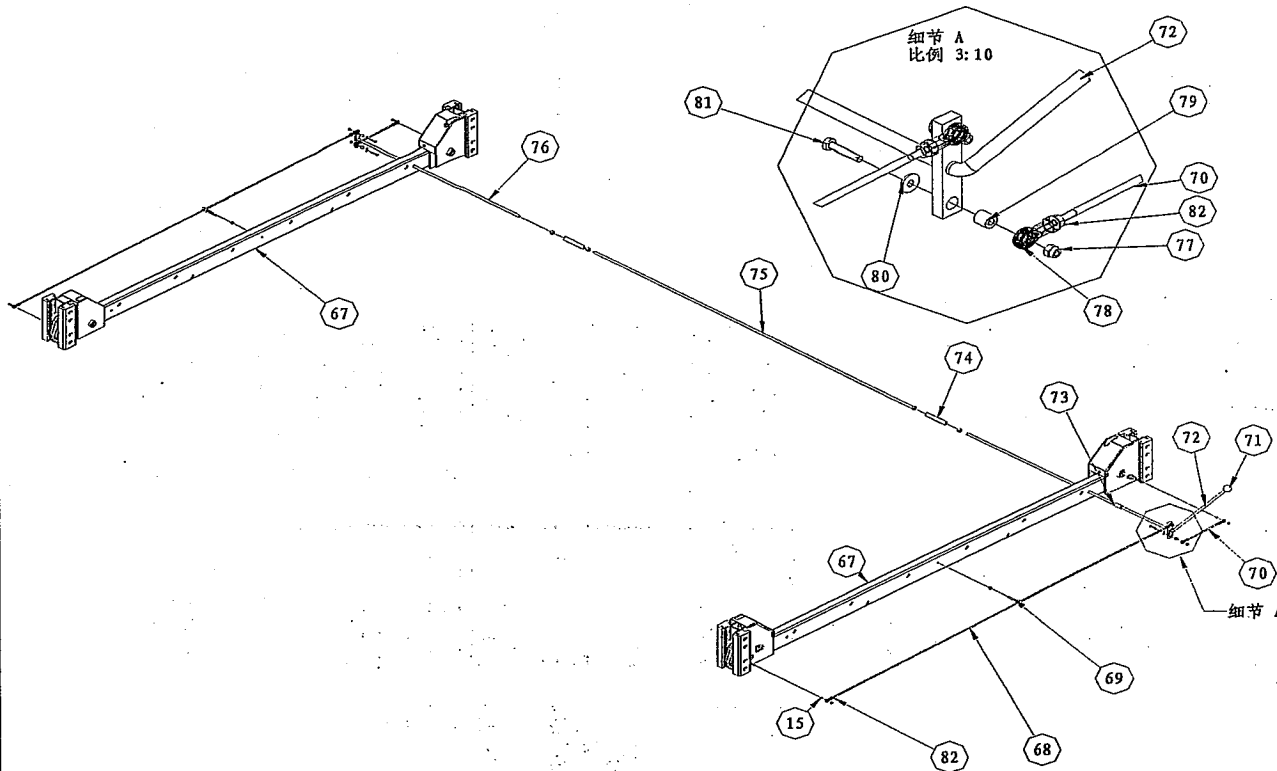
* Easily Worn Parts



TX FP8K-DS

KERNEL ITEM NO.163016<TT7B>

Kernel Edition 1.0
Mar.2008



Spare Parts List

ITEM	DESCRIPTION	QTY
15	spring washer	24
67	traverse beam	2
68	connection pole of flexible parts	2
69	foundation bolt	2
70	connection pole of flexible parts	2
71	bakelite ball	1
72	handle	1
73	bush	2
74	connection bush	2
75	pole	1
76	connection pole	1
77	nut	8
78	bearing of the end of pole	8
79	isolation bush	4
80	flat washer	4
81	hexangular bolt	4
82	hexangular nut	8

* Easily Worn Parts

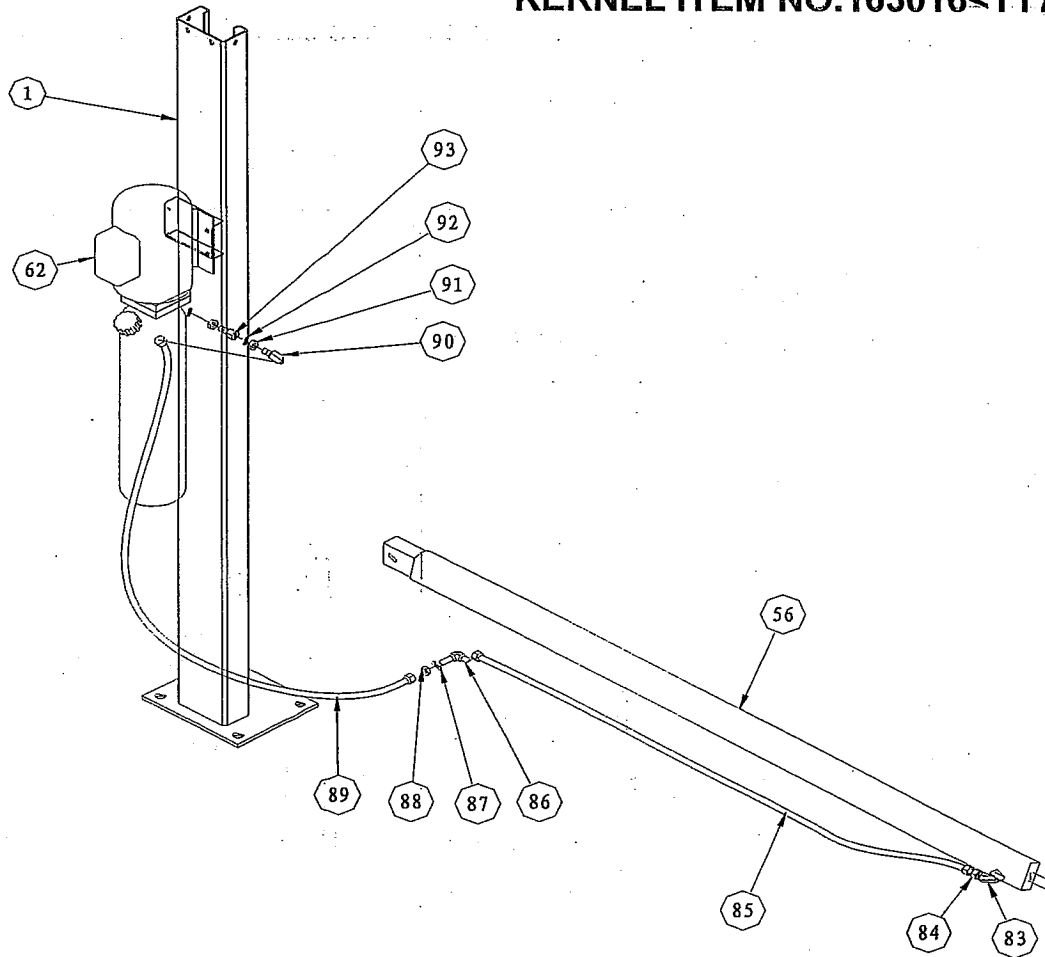
Page 2 of 5



TX FP8K-DS

KERNEL ITEM NO.163016<TT7B>

Kernel Edition 1.0
Mar.2008



Spare Parts List

ITEM	DESCRIPTION	QTY
1	weldment of main post	1
56	hydraulic cylinder	1
62	hydraulic pump	1
83	right angle fitting	1
84	throttle in single way	1
85	hose	1
86	right angle fitting	1
87	flat washer	1
88	nut	1
89	hose	1
90	right angle fitting	1
91	nut	2
92	washer	2
93	fitting for hydraulic pump	1

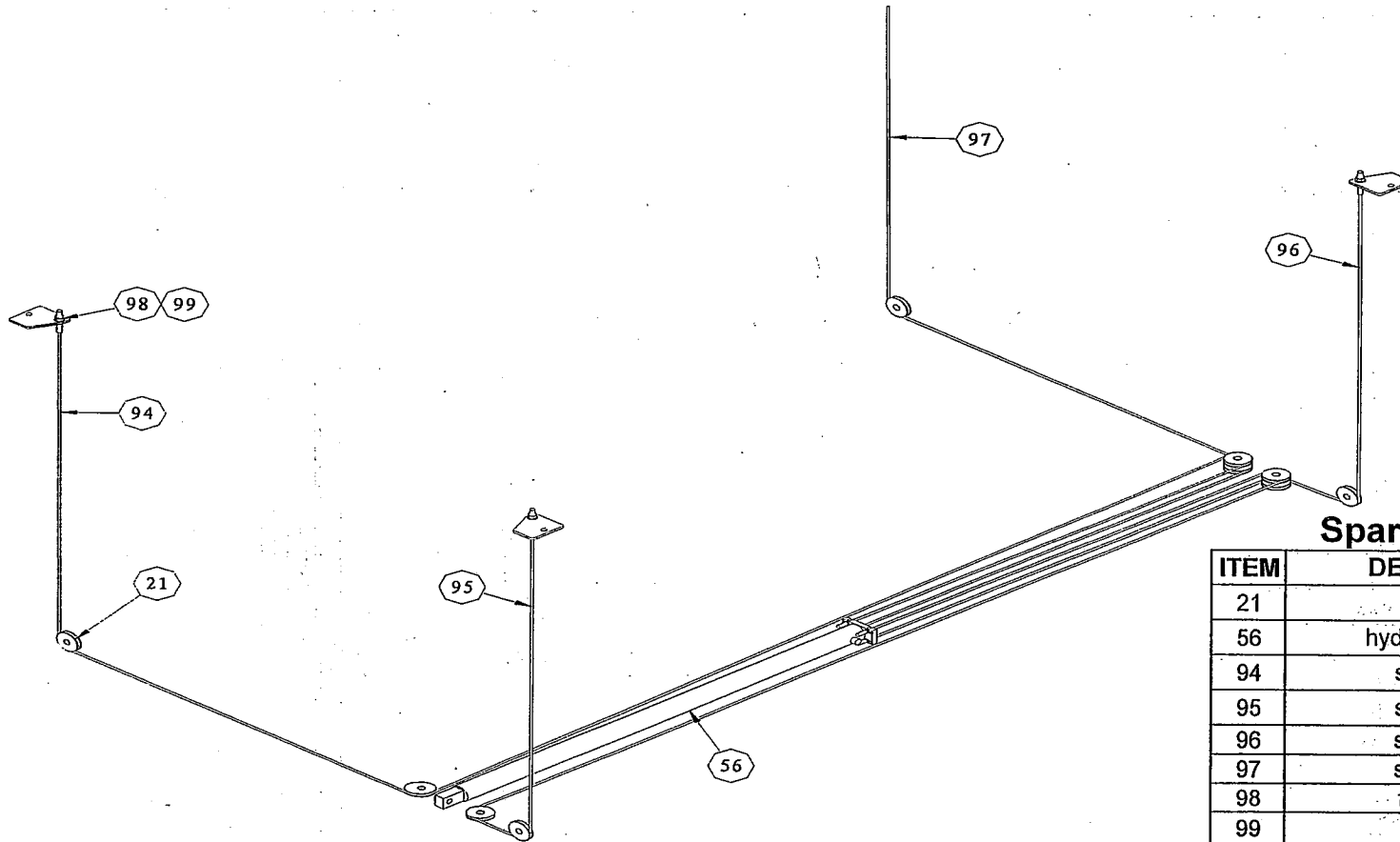
* Easily Worn Parts



TX FP8K-DS

KERNEL ITEM NO.163016<TT7B>

Kernel Edition 1.0
Mar.2008



Spare Parts List

ITEM	DESCRIPTION	QTY
21	idler wheel	10
56	hydraulic cylinder	1
94	steel wire A	1
95	steel wire B	1
96	steel wire D	1
97	steel wire C	1
98	flat washer	1
99	lock nut	4

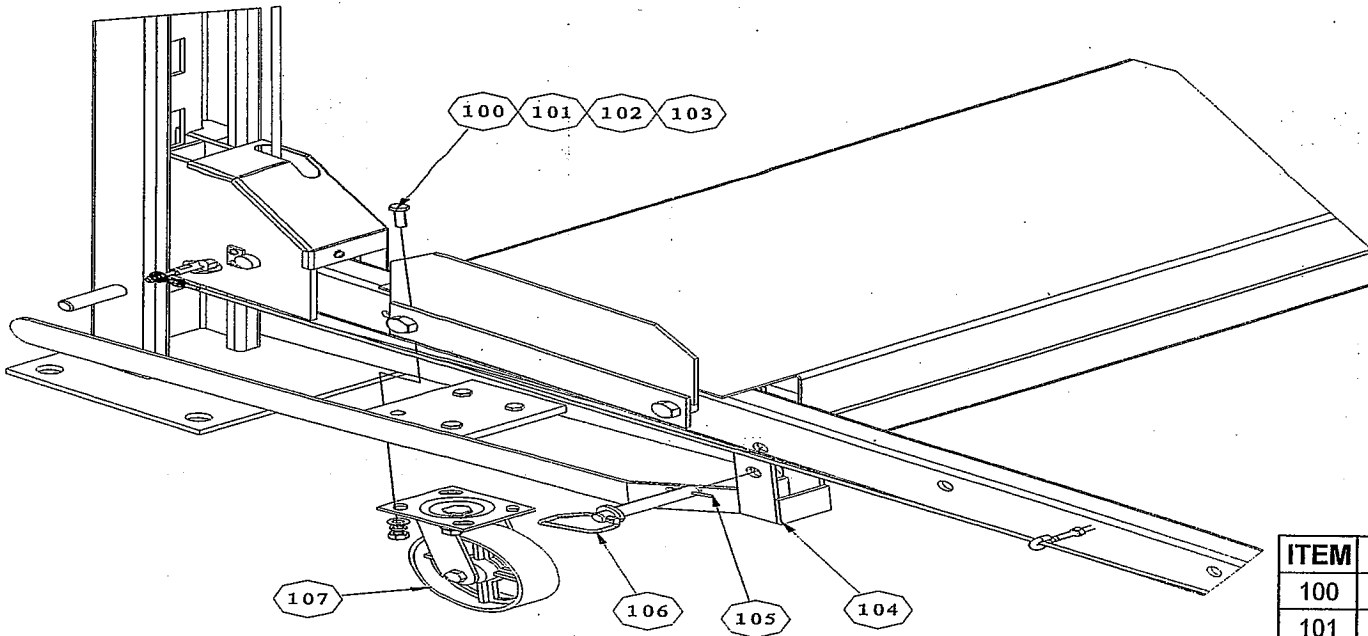
* Easily Worn Parts



TX FP8K-DS

KERNEL ITEM NO.163016<TT7B>

Kernel Edition 1.0
Mar.2008



Spare Parts List

ITEM	DESCRIPTION	QTY
100	zincification bolt	16
101	spring washer	16
102	hexangular nut	16
103	flat washer	16
104	weldment of bracket	4
105	pin	4
106	bolt	4
107	universal wheel	4

* Easily Worn Parts